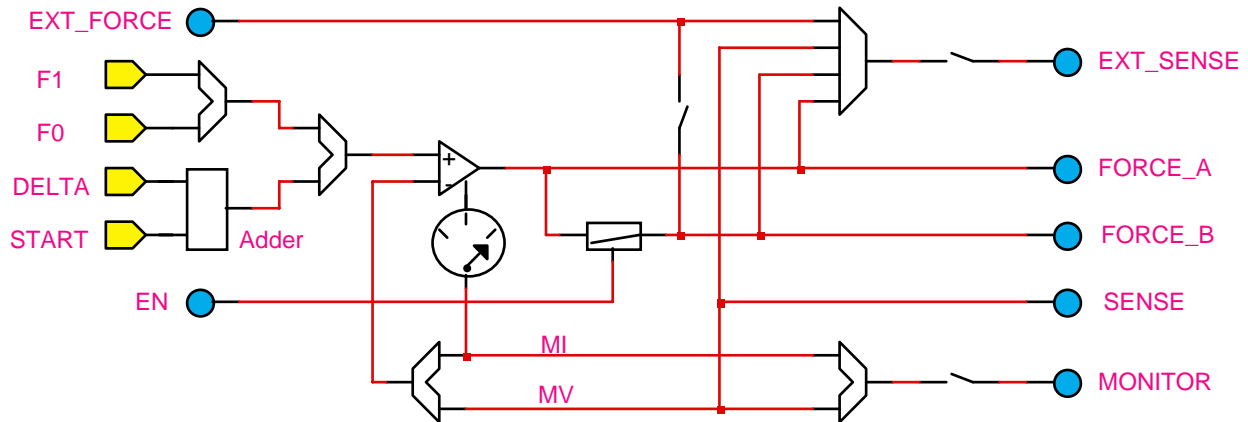


**System on a Chip  
Gangable DPS / VI / PMU**

[Get Full Datasheet](#)



**1A DC Output Drive Capability**

- 6 FV / MI Current Ranges (1.024 mA, 128 mA, 8 mA, 1 mA, 125  $\mu$ A, 15.625  $\mu$ A)
- 3 FI Current Ranges (512 mA, 128 mA, 8 mA)
- Glitchless Current Range Changing
- HiZ Capability w/ Extremely Low Leakage

**Ganging Capability for Higher Current Applications**

**Integrated External Force and Sense Switches**

**Independent Power Supply for Output Stage**

**Full Functionality**

- FV, FI, MV, MI
- 4 Quadrant Operation
- Bump Function

**Operating Voltage**

- 32V Supply Range
- Adjustable Output Range
- 4 Voltage Ranges (4V, 8V, 16V, 32V)
- Adjustable Slew Rate
- External Precision DAC Drive Capability

**Programmable Clamps**

- Voltage Clamps
- Current Clamps

**Programmable Alarms**

- Over Current
- Over Voltage
- Over Temperature
- Kelvin Sense

**Dedicated Real Time DAC for Forcing Level**

- Increment / Decrement Option
- 16 Bit per Level Offset & Gain Correction

**On-Chip DC Support Levels**

- 16 Bits per Level
- 16 Bit per Level Offset & Gain Correction

**3 Bit Serial CPU Port**

- Load Internal Registers and Memory
- Read Back Internal States

**Package**

- Lead Free
- 64 Lead, 10 mm X 10 mm, TQFP w/ Heat Slug

**Power Dissipation**

- Pdq = 1 Watt

Data Sheet Status	Revision Date
Engineering Sample	11 / 20 / 07